







10-piece gardening kit

Name# Garden tool kit
Size# $\Phi 26 \times H 20 \text{CM}$
Material# 100%polyester
+pvc(lining)

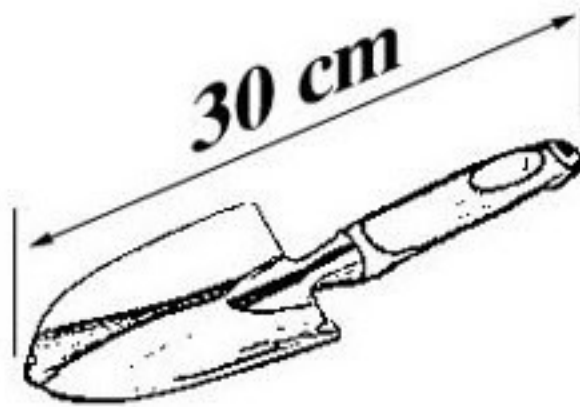




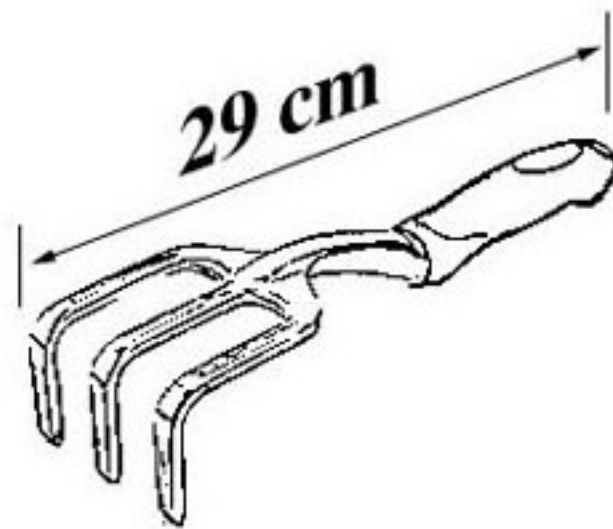
10-piece gardening kit

Name# Garden tool kit
Size# $\Phi 26 \times H 20 \text{CM}$
Material# 100%polyester
+pvc(lining)





Garden shovel



Garden rake

Aluminum Alloy Material, high-strength mirror polishing technology treatment, lightweight and rust-free, TPR environmental protection handle, human body mechanics design grip feeling more comfortable, digging soil to make holes, removing Miscellaneous mud stones, easy to use!



Pruning shears/Secateurs

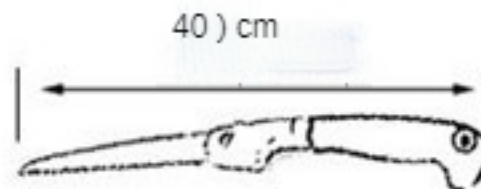
It is made of 65mm steel. After heat treatment, the shear sheet has high-hardness steel structure and durable wear resistance. The ultra-light non-slip handle feels very comfortable and can protect fingers, the trimming head of the handle changing angle suitable for human hand-shaped structure can be trimmed directly, and the delicate finishing scissors are suitable for orchards, vineyards, etc.

Pruning saw/Pruningsaws

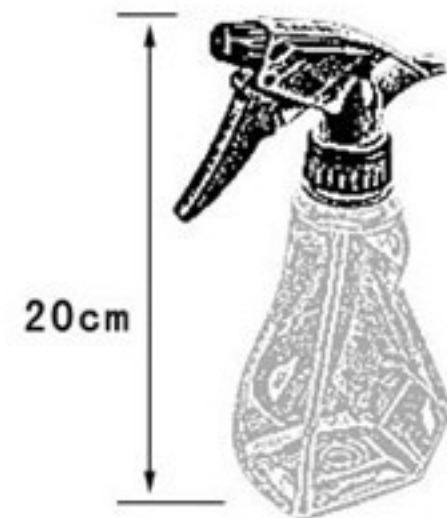


SK5 steel saw blade three-sided grinding teeth Backsaw material: hardened, high carbon tool steel

The saw blade material is made of the highest grade Alloy Tool Steel such as 65Mn through nearly 100 mechanical processing processes such as stamping, milling, grinding, etc. The surface of the saw blade is vacuum high frequency quenching, then it has 56-61HRC hardness through surface electroplating hard chrome and other surface hardening.



Spray bottle | Spraybotte



Potted flower three-piece set/ Potted flower three-piece

Metal Material and TPR environmental protection handle are suitable for greening and fine planting of potted flowers. At the same time, it is also a personalized exclusive for children tool. Parent-child design makes garden consolidation more enjoyable.

Small flower shovel



Small flower spade



Small flower rake

